

SHARP

LED Lighting
Spot on Track

YUJI



Flexible beam angles, colour temperatures and lumen packages combined with high efficiency **/This is Why** YUJI is the ideal luminaire for retail outlets, showrooms and supermarkets.



Type	Spot on track
Mounting	Suspended or surface-mounted
Housing Colour	White, white aluminium or black
IP Rating	IP20 (with protected optical system)
Service Life	50,000 hrs. (L70/B50)
Beam Angle (C0/C90)	24° or 40°
Light Source	Sharp Mega ZENIGATA, Sharp Tiger ZENIGATA (tunable white)
Luminaire Luminous Flux	1,300/1,400; 2,300/2,500; 4,000/4,300 lm
Correlated Colour Temperature (CTT)	3,000 / 4,000 K
Colour Rendering Index (CRI)	> 80
Efficiency	up to 89 lm/W
Glare Rating, UGR (C0/C90)	19 – 22 (depending on version)
Comparable Conventional Lamps	Up to 70 W metal halide lamp replacement (20/35/70 W)

/This is Why SHARP

- 100 years of innovation
- 40 years of LED technology
- 5 years warranty on LED lighting products
- Lighting design support (specification & cost analysis)
- Finance options

/This is Why Quality LED

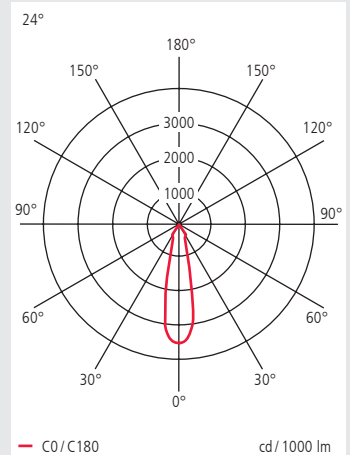
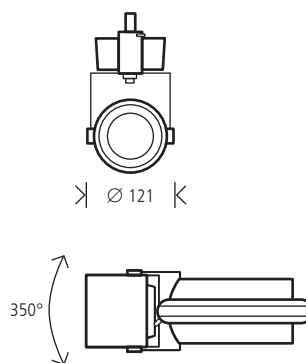
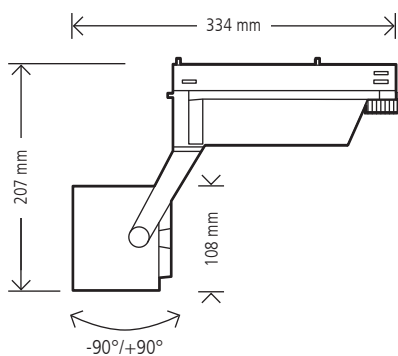
- 50.000 hrs. service life
- High energy efficiency
- No maintenance costs
- Quick amortisation during operating time
- CO₂ reduction
- Compliance with environmental standards
- Instant on/off
- No UV or infrared radiation, mercury free

/This is Why YUJI

- Sophisticated Sharp ZENIGATA technology and high luminaire efficiency (up to 89 lm/W) and CRI > 80
- Different beam angles, colour temperatures and lumen packages
- Easy refurbishment inside all existing 3-phase tracks due to standardized adapter technology
- Connectable to lighting controls by DALI signal
- Subtle design
- Made in Europe

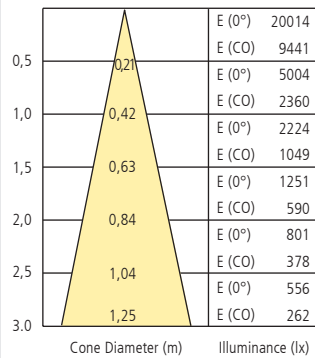
YUJI is a universal spotlight designed for a wide range of applications, using Sharp ZENIGATA (COB) technology with a colour rendering of CRI > 80. The luminaire fits perfectly inside the standard European 3-phase track systems, ensuring high versatility due to the ability to select different colour temperatures, lumen packages and beam angles (flood 24°

and wide flood 40°). In addition to the switchable options, DALI dimmable variations are available to be integrated into comprehensive lighting design solutions. Interchangeable reflectors (accessory) offer the possibility to change the light distribution at a later date.



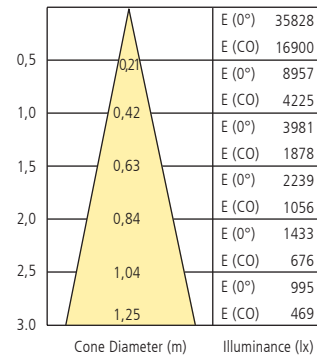
18 W / 24°

Distance (m)



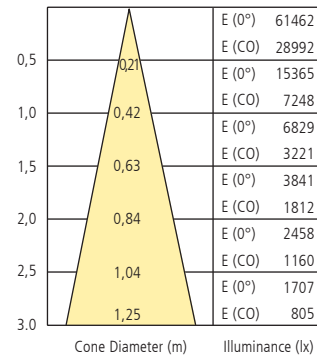
28 W / 24°

Distance (m)



53 W / 24°

Distance (m)



CO - C180 (Half-value Angle: 23.6°)

Applications

- Retail outlets
- Supermarkets
- Boutiques
- Showrooms
- Receptions
- Museums and galleries

Excellent quality and subtle design

- Housing made of die cast aluminium powder coated in white, white aluminium or black
- Highly reflective pure aluminium (99.98%) reflector ensuring high system efficiency and best possible glare control
- Heat sink made of forged aluminium, integrated into the cylindrical LED light head
- The tempered glass diffuser in front of the optical system ensures protection of COB during installation and cleaning as well as an even distribution of the light beam
- Switchable or digital DALI dimmable driver and 3-phase universal adaptor integrated in track box
- Track box design in line with 3-phase track and identical design of switchable and DALI dimmable version ensures a subtle appearance
- Sharp luminaires YUJI and HAYU can be combined perfectly due to the identical light head design
- Product development in line with EN 60598 and EN 60570 for track systems

High versatility

- The light head can rotate inside the outer trim by 355° and is adjustable by +/-90°
- The standard spots are equipped with a flood reflector (24°). A wide flood reflector (40°) is also available
- Reflectors are ordered as accessories and can be changed on-site with a simple bayonet (no tooling necessary)
- The 3-phase adaptor is based on Eutrac technology, allowing fitting into all common European 3-phase track systems. Thereby it is also possible to replace any existing conventional spots (halogen or metal halide) with more efficient Sharp LED luminaires
- Connectable to lighting controls by DALI signal for comprehensive lighting design solutions

Sharp Mega ZENIGATA technology

- Sharp Mega ZENIGATA (Chip on Board) technology offering luminaires with 1,300 lm (18W/3,000K), 1,400 lm (18W/4,000K), 2,300 lm (28W/3,000K), 2,500 lm (28W/4,000K), 4,000 lm (53W/3,000K), 4,300 lm (53W/4,000K)
- Colour temperatures of 3,000 K (warm white) and 4,000 K (neutral white) available.
- Colour Rendering Index of >80 CRI as standard

For an explanation of the Sharp ZENIGATA technology please check our "LED benefits brochure".



Sharp Tiger ZENIGATA technology (tunable white) **Available soon**

The product version with Sharp Tiger ZENIGATA technology offers maximum flexibility in lighting design. The colour temperature is variable from warm white 2,750 K to daylight white 6000 K. The tuning can easily be managed with two push buttons on the side of the driver box. By this the colour temperature can be adjusted gradually from 2,750 K to 3,000 K, 3,500 K, 4,000K, 4,500 K, 5,000 K, 5,500 K up to 6,000 K.

This spot provides benefits in numerous applications:

- In food lighting the colour temperature can be adjusted for meat, fish, vegetables, etc.
- In jewellers the light can be adjusted e.g. for gold, silver, platinum
- In retail applications or fairs goods/materials can be highlighted with the right colour temperature



Tunable white: 2,750 K

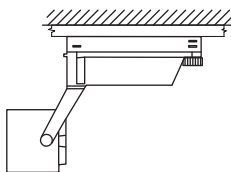


Tunable white: 6,000 K

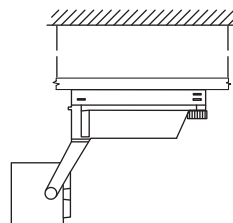
Easy and flexible installation

- Switchable versions fit inside all common European 3 phase track systems (Eutrac, Global, Nordic, Erco, Zumtobel)
- DALI digital dimmable versions are based on the Eutrac 3-phase track system
- Track fixation with double locking system of adaptors on both ends of track box (one lock for fixation and one lock for fixation and choice of phase 1, 2 or 3)
- The track system can be installed suspended or surface-mounted

Ceiling surfaced lighting track



Suspended lighting track



Track system

Sharp also offers a comprehensive track system for switchable and DALI dimmable luminaires. The colours of the tracks are in line with the colours of the YUJI spots. For easy planning of different 3- phase track structures, the following components can be considered as switchable or digital DALI dimmable solutions:

- 3 phase track (2 or 3 m length)
- Feed-in connector at the end
- Feed-in connector in the middle
- Connector (90° or 180°)

The tracks can be easily cut onsite to individual length. A comprehensive portfolio of modules allows a solution for every possible project request.

Luminaire versions

Order Code	Connected Load	Controls	Correlated Colour Temperature	Luminaire Luminous Flux	Housing Colour*	Beam angle
TL18S8313W24S5	18 W	switchable	3,000 K	1,300 lm	<input type="checkbox"/> White	24°
TL18S8313S24S5	18 W	switchable	3,000 K	1,300 lm	<input checked="" type="checkbox"/> White aluminium	24°
TL28S8323W24S5	28 W	switchable	3,000 K	2,300 lm	<input type="checkbox"/> White	24°
TL28S8323S24S5	28 W	switchable	3,000 K	2,300 lm	<input checked="" type="checkbox"/> White aluminium	24°
TL28D8323W24S5	28 W	dimmable	3,000 K	2,300 lm	<input type="checkbox"/> White	24°
TL28S8425W24S5	28W	switchable	4,000 K	2,500 lm	<input type="checkbox"/> White	24°
TL28S8425S24S5	28 W	switchable	4,000 K	2,500 lm	<input checked="" type="checkbox"/> White aluminium	24°
TL53S8340W24S5	53 W	switchable	3,000 K	4,000 lm	<input type="checkbox"/> White	24°
TL53S8340S24S5	53 W	switchable	3,000 K	4,000 lm	<input checked="" type="checkbox"/> White aluminium	24°
TL53D8340W24S5	53 W	dimmable	3,000 K	4,000 lm	<input type="checkbox"/> White	24°
TL53S8443W24S5	53 W	switchable	4,000 K	4,300 lm	<input type="checkbox"/> White	24°
TL53S8443S24S5	53 W	switchable	4,000 K	4,300 lm	<input checked="" type="checkbox"/> White aluminium	24°
TL53D8443W24S5	53 W	dimmable	4,000 K	4,300 lm	<input type="checkbox"/> White	24°

Other versions are available on request: black housing colour, 40° beam angle, etc.

Tunable White version with Sharp Tiger ZENIGATA will be available soon.

* Housing Colour: White = similar to RAL 9010, White aluminium = similar to RAL 9006, Black = similar to RAL 9005

Accessories

Order Code	Description
DMTL00000W2405	Exchangeable reflector, 24°, white
DMTL00000W4005	Exchangeable reflector, 40°, white
DMTL00000S2405	Exchangeable reflector, 24°, white aluminium
DMTL00000S4005	Exchangeable reflector, 40°, white aluminium

Sharp also offers a comprehensive 3-phase track system.

This is Why

www.sharp.eu/lighting

SHARP

LED LIGHTING/
SHARP ENERGY SOLUTIONS EUROPE
SHARP ELECTRONICS GMBH
SONNINSTR.3
20097 HAMBURG
T: +49(0)40/2376-2271
F: +49(0)40/2376-15-2271
E: INFO.LIGHTING@SHARP.EU

We reserve the right to make technical and design changes without prior notice.

5 YEARS Warranty **%** **FINANCIAL** Services

